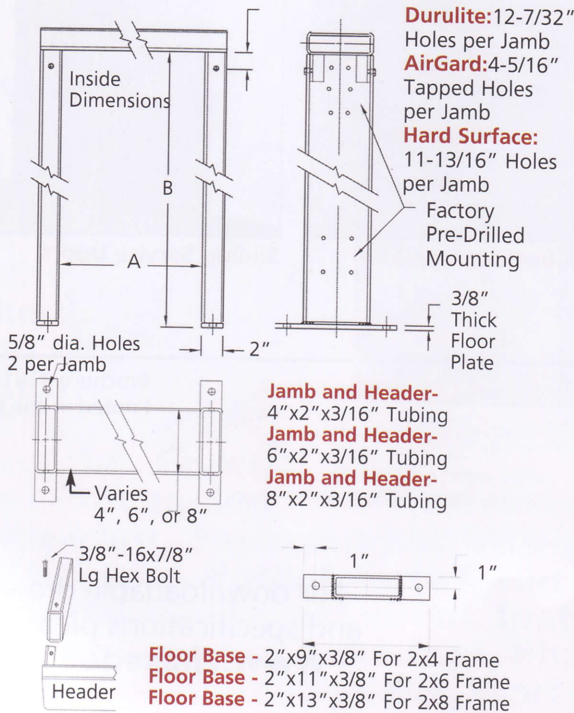


# KD Frames & Limiting Post



## KD Structural Steel Door Frame

Our Structural Steel Door Frames are custom manufactured of tubular steel to fit your particular door opening. They are shipped knocked-down in three easy to assemble pieces. Chase Structural Steel Frames are available for standard or industrial applications and are pre-drilled for any of our hardware configurations (Durulite® Doors, Service Doors, or Flexible Doors) so installation is quick and easy. Just supply us with your finished opening height and width. Standard color is powder coated gray, optional is powder coated black, beige or white.



Specify when ordering



## Limiting Posts

Chase Limiting Posts protect your doors from unnecessary and costly damage. They are designed to extend the life of any double-acting traffic door by limiting the travel of the door panel, therefore preventing damage caused when the doors are overextended or "wrapped around the frame".

- Available in two heights, 42" or 19"
- Rotationally molded high-density, cross-linked polyethylene construction gives a durable and attractive appearance
- Non-CFC urethane foam core
- A 42" high limiting post has an outer wall thickness of .250", a diameter of 5.25" and a 7.75" diameter bottom flange
- A 19" high limiting post has an outer wall thickness of .375", a diameter of 3" and a 6" diameter bottom flange
- The 42" high limiting post has a powder-coated steel ring that fits over the bottom flange with 3/8" x 3" concrete wedge anchors are used to fasten to concrete floors
- A molded polyethylene base cover is provided in the matching color to create a finished appearance
- Chase Limiting Post are easy to install or replace, will not corrode, never needs painting and are highly visible
- Available in fourteen standard colors

